

Nano-ITX Series

VIA EPIA N

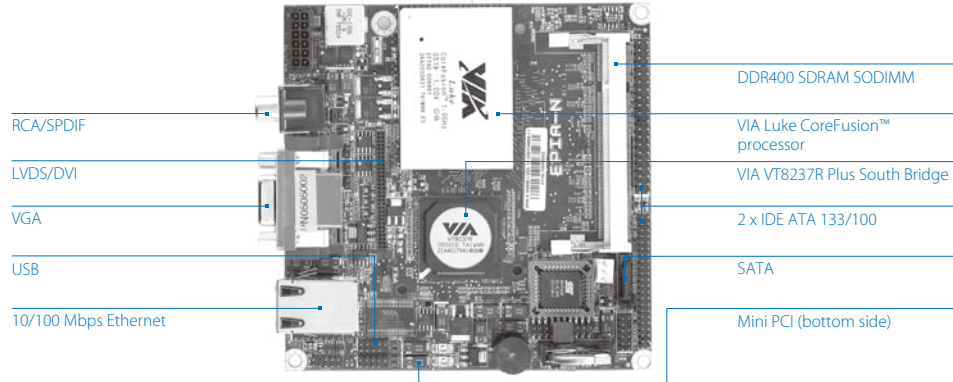
Nano-ITX Luke Board with
MPEG-2 & 4, DVI/LVDS and
HDTV Support

Features

- Integrated VIA UnChrome™ Pro AGP graphic with MPEG-2/4 decoding acceleration
- Supports DDR400 SDRAM (SODIMM)
- Supports HDTV resolution
- Supports one Mini PCI as expansion slot on bottom side
- Supports six USB2.0 ports (four as pin headers)



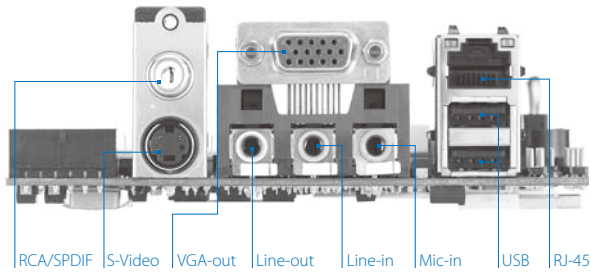
Board Placement



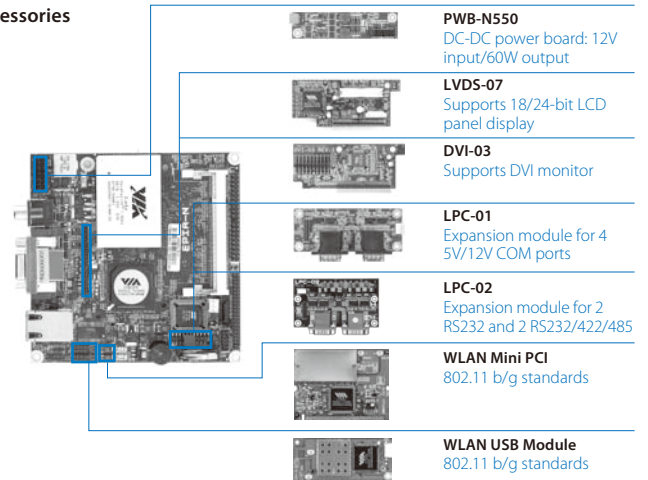
Specifications

Model Name	EPIA N1000G	EPIA N800EG	EPIA N500EG
Core Logic	VIA Luke 1.0GHz VIA VT8237R Plus South Bridge	VIA Fanless Luke 800MHz VIA VT8237R Plus South Bridge	VIA Fanless Luke 500MHz VIA VT8237R Plus South Bridge
System Memory	1 x DDR400/333/266 SODIMM socket Up to 1GB memory size		
VGA	Integrated VIA UniChrome™ Pro AGP graphics with MPEG-2/4 decoding acceleration		
Expansion Slot	1 x Mini PCI slot		
Onboard IDE	2 x UltraDMA 133/100/66 connectors (secondary 2.0 mm 44-pin header)		
Onboard Serial ATA	1 x SATA connector		
Onboard LAN	1 x VIA VT6103 10/100 Mbps Ethernet controller		
Onboard Audio	VIA VT1617A 6-channel AC'97 Codec		
Onboard TV Out	VIA VT1625M TV Encoder		
Onboard I/O Connectors	2 x USB connectors for 4 additional USB 2.0 ports 1 x VIP connector 1 x SIO connector for SIR and LPC 1 x YPbPr connector (component TV output connector) 1 x LVDS/DVI module connector, for 18/24-bit dual channel LVDS panel (an add-on card is required) 1 x Front panel connector 1 x Keyboard/mouse connector 1 x Fan connector for CPU fan 1 x Nano-ITX power connector		
Back Panel I/O	1 x RCA port (S/PDIF or TV out) 1 x S-Video port 1 x VGA port 1 x RJ-45 LAN port 2 x USB 2.0 ports 3 x Audio jacks: Line-out, Line-in and Mic-in (horizontal, Smart 5.1 support)		
BIOS	Award BIOS 4/8Mbit flash memory		
Operating System	Windows XP, Linux, Win CE, XPe		
System Monitoring & Management	CPU temperature monitoring CPU voltage monitoring Fan control Watch Dog Timer Wake-on LAN, Keyboard Power-on, Timer Power-on System power management AC power failure recovery		
Operating Temperature	0°C - 50°C		
Operating Humidity	0% ~ 95% (relative humidity; non-condensing)		
Form Factor	Nano-ITX (8-layer) 12 cm x 12 cm		

Back Panel I/O



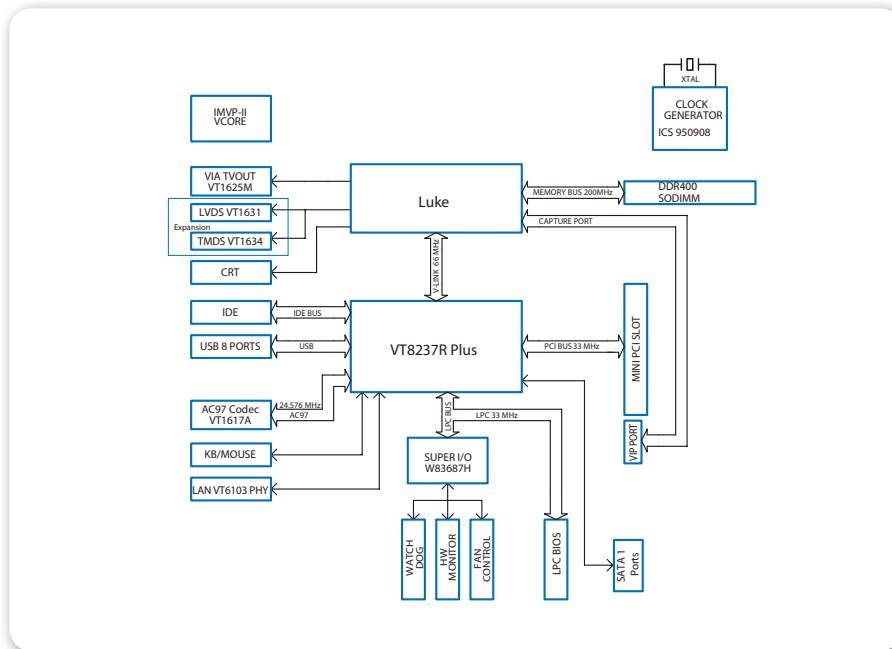
Accessories



Ordering Information

Model Name	CPU Frequency	Description
N10000G	Luke 1.0GHz	Nano-ITX Board with Luke 1.0GHz Processing Unit, VGA, USB, LAN, LVDS, DVI, TV-out, IDE & SATA
N8000EG	Luke 800MHz	Nano-ITX Fanless Board with Luke 800MHz Processing Unit, VGA, USB, LAN, LVDS, DVI, TV-out, IDE & SATA
N5000EG	Luke 500MHz	Nano-ITX Fanless Board with Luke 500MHz Processing Unit, VGA, USB, LAN, LVDS, DVI, TV-out, IDE & SATA

Block Diagram



Packing List

Items
1 x ATA-66/100/133 IDE ribbon cable
1 x PS2 cable
1 x USB cable
1 x Power cable
1 x General installation guide
1 x Driver Utility CD