

Nano-ITX Series

VIA

EPIA NX

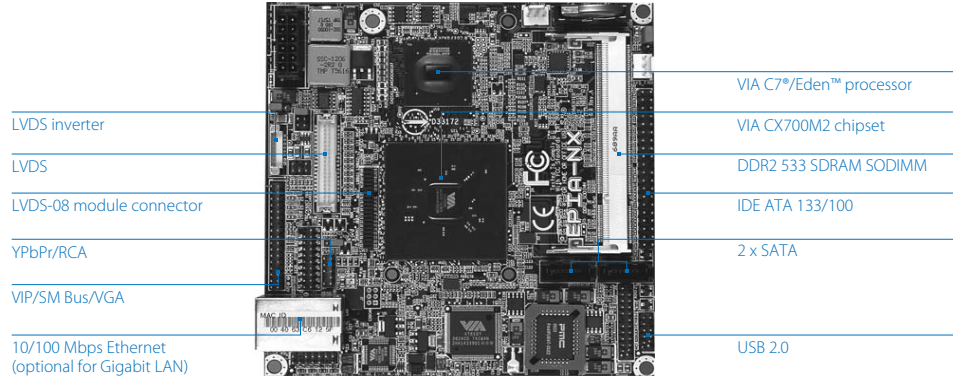
Nano-ITX NanoBGA2 C7®/
Eden™ Board with MPEG-2
& 4, WMV9 & Dual LVDS

Features

- Integrated VIA UniChrome™ Pro II 3D/2D AGP graphics with MPEG-2/4 and WMV9 video decoding acceleration
- Supports DDR2 533 SDRAM (SODIMM)
- Onboard dual channel LVDS support, additional dual channel LVDS support available with a daughter card
- Supports 10/100 Mbps Ethernet, or manufacturing option for Gigabit Ethernet
- Supports HDTV resolution
- Supports HD Audio
- Low profile design: All back panel I/O in pin header format except for the RJ-45 LAN connector



Board Placement



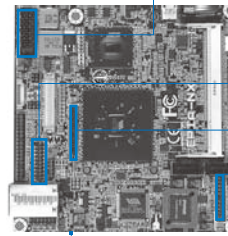
Specifications

Model Name	EPIA NX15000G	EPIA NX12000EG
Processor	VIA C7® 1.5GHz NanoBGA2	VIA Eden™ 1.2GHz NanoBGA2
Chipset	VIA CX700M2 Unified Digital Media IGP chipset	
System Memory	1 x DDR2 533 SODIMM socket Up to 1GB memory size	
VGA	Integrated VIA UniChrome™ Pro II 3D/2D AGP graphics with MPEG-2/4 and WMV9 video decoding acceleration	
Expansion Slot	1 x Mini PCI slot	
Onboard IDE	1 x UltraDMA 133/100/66 connector (40-pin pin header)	
Onboard Serial ATA	2 x SATA connectors	
Onboard LAN	1 VIA VT6107 10/100 Mbps Ethernet controller Or manufacturing option for VIA VT 6122 Gigabit Ethernet controller	
Onboard Audio	VIA VT1708A High Definition Audio Codec	
Onboard TV Out	Integrated HDTV TV Encoder	
Onboard I/O Connectors	1 x USB pin connector for 6 additional USB 2.0 ports 1 x LPC connector 1 x LVDS pin connector, for 18/24-bit dual channel LVDS panel 1 x Module connector to support 2nd 18/24-bit dual channel LVDS panel (an add-on card is required) 1 x TV Out pin connector for Composite, S-Video and Component (YPbPr) 1 x Video connector for VGA output, CCIR656/601 video input and SMBus 1 x Audio pin connector for Line-out, Line-in, Mic-in and S/PDIF out 1 x PS2 mouse/keyboard pin connector 2 x Fan pin connectors: CPU/Sys FAN 1 x Nano-ITX power connector	
Back Panel I/O	1 x RJ45 LAN port	
BIOS	Award BIOS 4/8Mbit flash memory	
Operating System	Windows XP, Linux, Win CE, XPe	
System Monitoring & Management	Wake-on LAN, Keyboard Power-on, Timer Power-on System power management AC power failure recovery	
Operating Temperature	0°C up to 50°C	
Operating Humidity	0% ~ 95% (relative humidity; non-condensing)	
Form Factor	Nano-ITX (8-layer) 12 cm x 12 cm	

Back Panel I/O



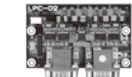
Accessories



PWB-N550
DC-DC power board:
12-24V input/120W output



LPC-01
Expansion module for 4
5V/12V COM port



LPC-02
Expansion module
for 2 RS232 and 2
RS232/422/485



LVDS-08
Support 18/24-bit LCD
display



WLAN USB Module
802.11 b/g standards

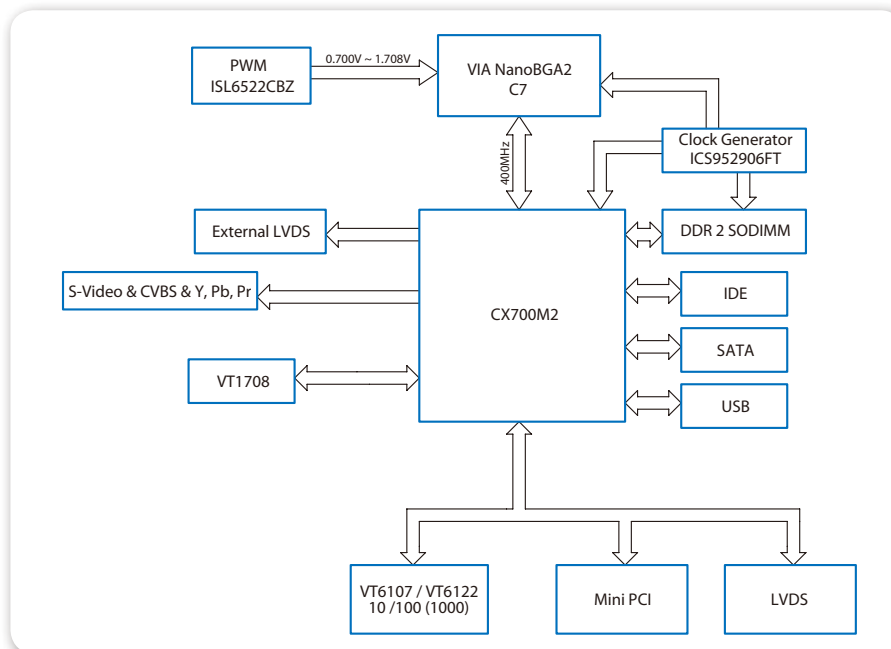


WLAN Mini PCI
802.11 b/g standards

Ordering Information

Model Name	CPU Frequency	Description
NX15000G	C7® 1.5GHz	Nano-ITX Board with C7® 1.5GHz CPU, VGA, USB, LAN, Dual LVDS, TV-out, IDE & SATA
NX12000EG	Eden™ 1.2GHz	Nano-ITX Fanless Board with Eden™ 1.2GHz CPU, VGA, USB, LAN, Dual LVDS, TV-out, IDE & SATA

Block Diagram



Packing List

Items

- 1 x ATA-66/100/133 IDE ribbon cable
- 1 x VGA cable
- 1 x USB cable
- 1 x PS2 cable
- 1 x Power cable
- 1 x General installation guide
- 1 x Driver Utility CD