

Mini-ITX Series

VIA EPIA PE

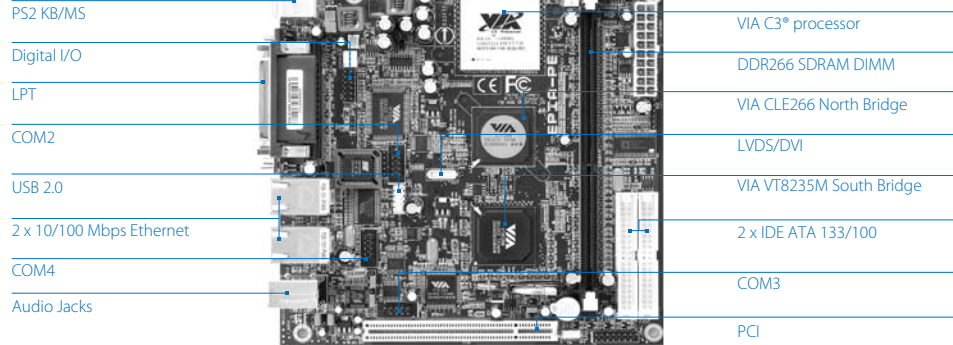
Mini-ITX EBGA C3® Board
with MPEG-2, 4 COM Ports,
and Dual-LAN

Features

- Integrated VIA UniChrome™ Pro AGP graphics with MPEG-2 decoding acceleration
- Supports Digital I/O, four pairs of GPIO
- Four COM ports support, COM3/4 with 5V/12V VCC select
- Supports dual LAN (10/100Mbps)
- Supports LVDS/DVI (an add-on card is required)



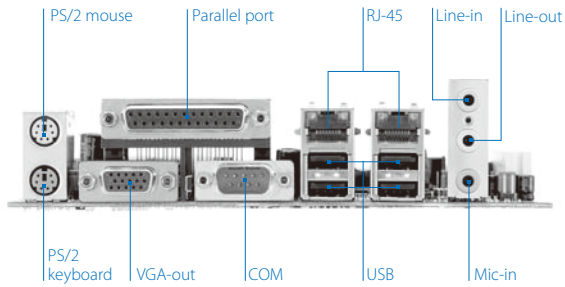
Board Placement



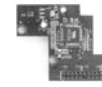
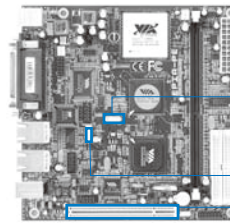
Specifications

Model Name	EPIA PE10000G
Processor	VIA C3® 1.0GHz EBGA
Chipset	VIA CLE266 North Bridge VIA VT8235M South Bridge
System Memory	1 x DDR266 DIMM socket Up to 1GB memory size
VGA	Integrated VIA UniChrome™ AGP graphics with MPEG-2 decoding acceleration
Expansion Slots	1 x PCI Slot
Onboard IDE	2 x UltraDMA 133/100/66 connectors
Onboard LAN	1 x VIA VT6103 10/100 Mbps Ethernet PHY 1 x VIA VT6106S 10/100 Mbps Ethernet controller
Onboard Audio	VIA VT1612A 2 channel AC'97 Codec
Onboard I/O Connectors	1 x USB connector for 2 additional USB 2.0 ports 1 x FIR connector 1 x Wake-on-LAN connector 3 x Serial port connectors for COM2/3/4 (COM3/4 are 5V/12V selectable) 1 x Digital I/O connector 1 x SMBus connector 1 x LVDS/DVI module connector, for 24-bit dual channel LVDS panel (an add-on card is required) 1 x CIR connector (switchable for KB/MS) 1 x Front panel audio connector for Line-out and Mic-in 3 x Fan connectors for CPU, system and power fans 1 x ATX power connector
Back Panel I/O	1 x PS2 mouse port 1 x PS2 keyboard port 1 x Parallel port 1 x VGA port 1 x Serial port 2 x RJ-45 LAN ports 4 x USB 2.0 ports 3 x Audio jacks: Line-out, Line-in and Mic-in (vertical, Smart 5.1 support)
BIOS	Award BIOS LPC 4/8Mbit flash memory
Operating System	Windows 2000/XP, Linux, Win CE, XPe
System Monitoring & Management	CPU temperature reading CPU voltage monitoring Fan control Watch Dog Timer Wake-on LAN, Keyboard Power-on, Timer Power-on System power management AC power failure recovery
Operating Temperature	0° C - 50° C
Operating Humidity	0% ~ 95% (relative humidity; non-condensing)
Form Factor	Mini-ITX (6-layer) 17 cm x 17 cm

Back Panel I/O



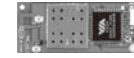
Accessories



DVI-01
Supports DVI monitor



LVDS-05
Supports 18/24-bit LCD panel display



WLAN USB Module
802.11 b/g standards

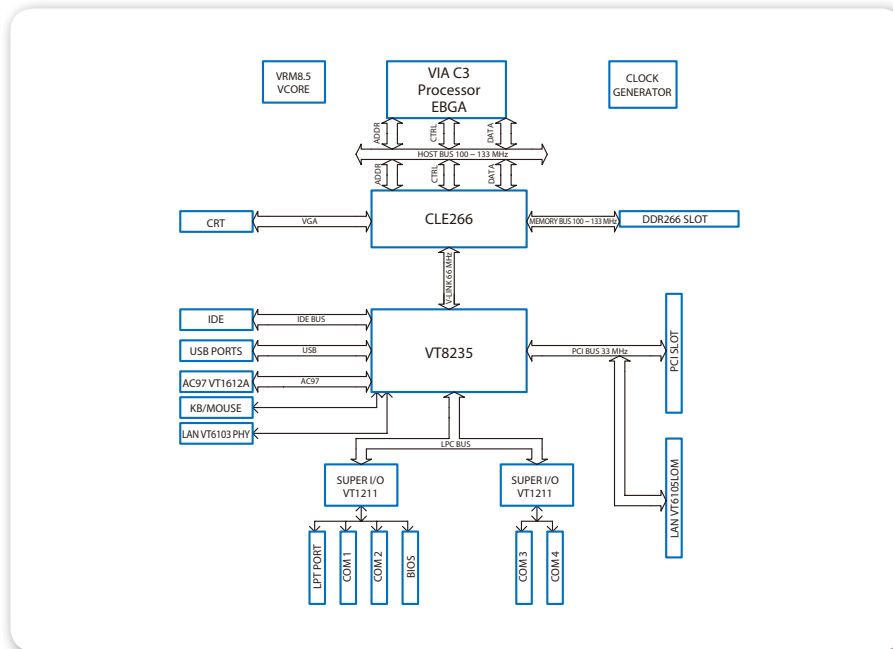


EXT-PCI
1 to 2 PCI riser card

Ordering Information

Model Name	CPU Frequency	Description
PE10000G	C3® 1.0GHz	Mini-ITX Board with C3® 1.0GHz CPU, VGA, LVDS, DVI, USB, 4 x COM, LPT, Dual LAN, 4 x GPI & 4 x GPO, IDE, SATA

Block Diagram



Packing List

Items
1 x ATA-66/100/133 IDE ribbon cable
1 x General installation guide
1 x Driver Utility CD
1 x I/O bracket