

Mini-ITX Series

VIA EPIA LT

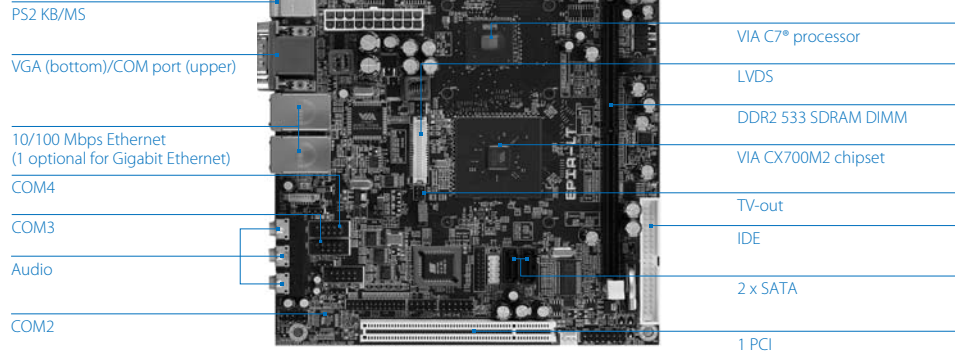
Mini-ITX NanoBGA2 C7[®]
Board with MPEG-2/4,
WMV9, LVDS, 4 COM Ports
& 2 LAN

Features

- Integrated VIA UniChrome™ Pro II 3D/2D AGP graphics with MPEG-2/4 and WMV9 decoding acceleration
- Supports DDR2 533 DIMM socket
- Supports dual-channel LVDS
- Supports two 10/100 Mbps Ethernet (optional for one Gigabit LAN)
- Supports four COM ports (COM 2/3/4 with 5 V/12 V select)



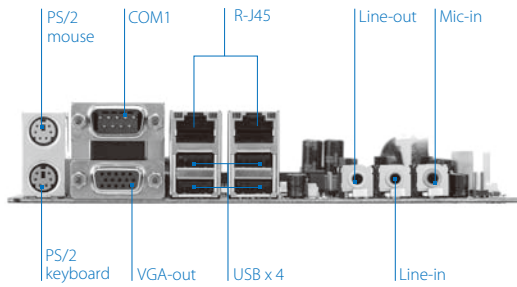
Board Placement



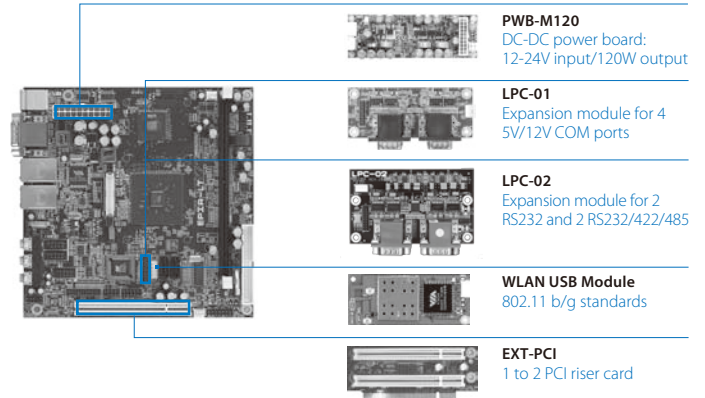
Specifications

Model Name	EPIA LT15000G	EPIA LT10000EG
Processor	VIA C7 [®] 1.5GHz NanoBGA2	VIA Fanless C7 [®] 1.0GHz NanoBGA2
Chipset	VIA CX700M2 Unified Digital Media IGP chipset	
System Memory	1 x DDR2 533 DIMM socket. Up to 1GB memory size	
VGA	Integrated VIA UniChrome™ Pro II 3D/2D AGP graphics with MPEG-2/4 and WMV9 decoding acceleration	
Expansion Slot	1 x PCI Slot	
Onboard IDE	1 x UltraDMA 133/100/66/33 connector	
Onboard LAN	1 x VIA VT6107 10/100 Mbps Fast Ethernet controller 1 x VIA VT6107 10/100 Mbps Fast Ethernet controller or manufacturing option for VT6122 Gigabit Ethernet controller	
Onboard Audio	VIA VT1708A High Definition Audio Codec	
Onboard I/O Connectors	1 x USB pin header for 2 USB 2.0 ports 1 x LPC connector 3 x Serial port pin headers for COM2/3/4 (with 5V/12V select jumper) 1 x PCI slot 1 x Digital I/O pin header 2 x SATA connectors 1 x MFX pin header 1 x Front panel audio pin header 1 x LPT pin header 1 x LVDS module connector, for 18/24-bit dual channel LVDS panel 1 x LVDS panel power selector pin header 1 x LVDS inverter pin header 1 x CIR pin header (convertible to KB/MS) 2 x Fan connectors for CPU & system fans 1 x Front panel connector 1 x ATX power connector	
Back Panel I/O	1 x VGA connector 1 x COM port 2 x RJ-45 LAN connectors 4 x USB 2.0 ports 3 x Audio jacks for Line-out, Line-in, & Mic-in 1 x PS2 mouse port 1 x PS2 keyboard port	
BIOS	AMI BIOS LPC 2/4/8Mbit flash memory	
Operating System	Windows 2000/XP, Linux, Win CE, XPe	
System Monitoring & Management	AC Power failure recovery RTC timer to Power On Wake-on LAN/KB/MS Watch Dog Timer	
Operating Temperature	0°C up to 50°C	
Operating Humidity	0% ~ 95% (relative humidity; non-condensing)	
Form Factor	Mini-ITX (6-layer) 17 cm x 17 cm	

Back Panel I/O



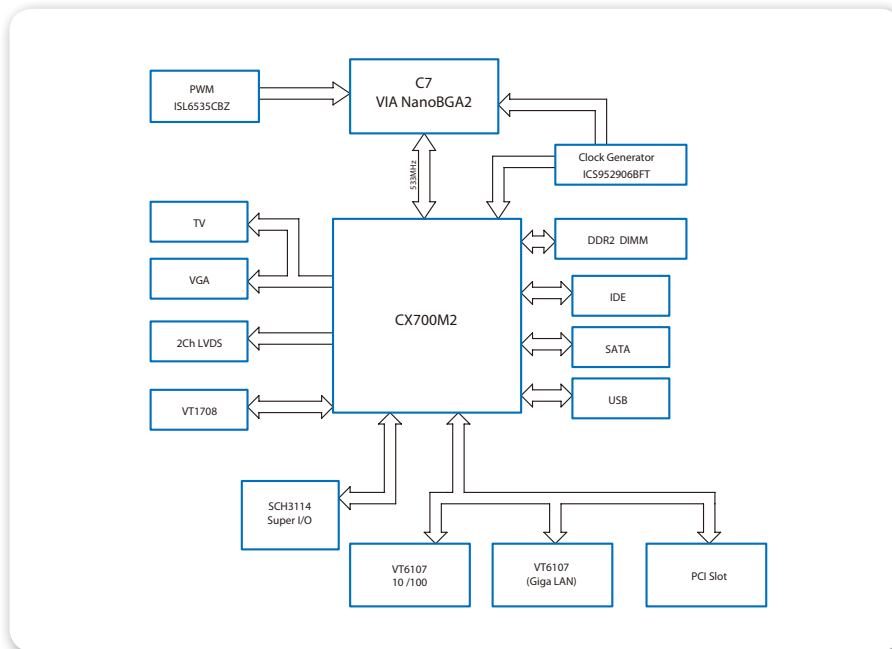
Accessories



Ordering Information

Model Name	CPU Frequency	Description
LT15000G	C7® 1.5GHz	Mini-ITX Board with C7® 1.5GHz, VGA, LVDS, 4 x COM, Dual LAN, 4 x GPI & 4 x GPO, IDE, SATA
LT10000EG	C7® 1.0GHz	Mini-ITX Fanless Board with C7® 1.0GHz, VGA, LVDS, 4 x COM, Dual LAN, 4 x GPI & 4 x GPO, IDE, SATA

Block Diagram



Packing List

Items
1 x ATA-66/100/133 IDE ribbon cable
1 x General installation guide
1 x Driver Utility CD
1 x I/O bracket