

Mini-ITX Series

VIA EPIA

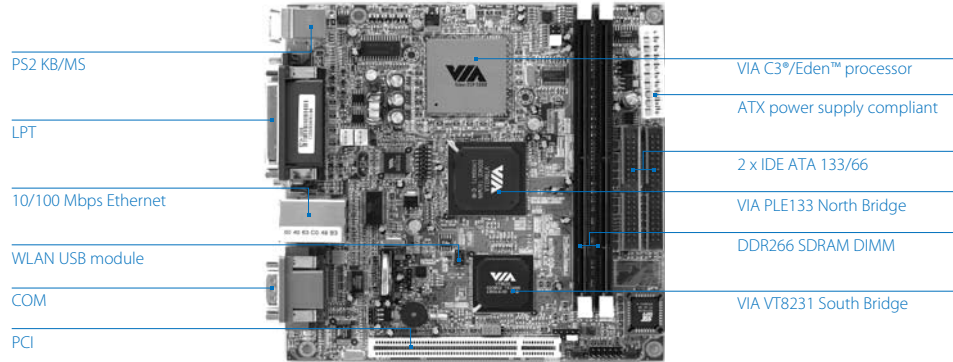
Mini-ITX EBGA C3®/Eden™
Board with PC133 SDRAM

Features

- Integrated AGP 4X graphics engine
- Supports PC133 SDRAM
- Supports 10/100Mbps Ethernet
- Supports four USB 1.1 ports (two as pin headers)
- Supports 2-channel audio



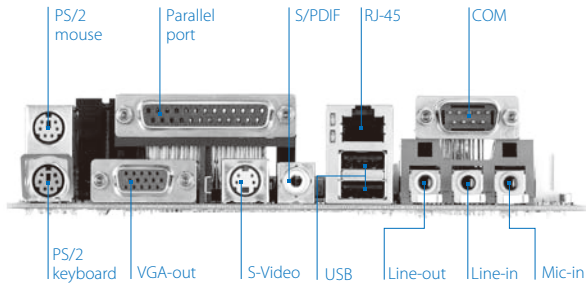
Board Placement



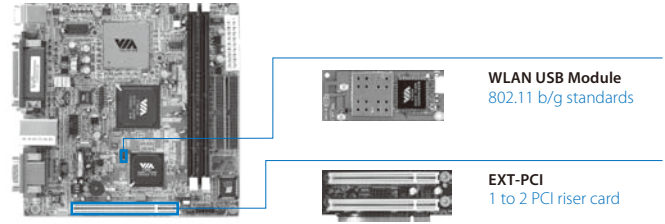
Specifications

Model Name	EPIA8000AG	EPIA5000AG
Processor	VIA C3® 800MHz EBGA	VIA Fanless Eden™ 533MHz EBGA
Chipset	VIA PLE133 North Bridge VIA VT8231 South Bridge	
System Memory	2 x PC133 DIMM socket Up to 1 GB memory size	
VGA	Integrated AGP 4 x graphics engine	
Expansion Slot	1 x PCI slot	
Onboard IDE	2 x UltraDMA 100/66 connectors	
Onboard LAN	1 x VIA VT6103 10/100Mbps Ethernet PHY	
Onboard Audio	VIA VT1612A 2-channel AC'97 Codec	
Onboard I/O Connectors	1 x USB connector for 2 USB 1.1 ports 1 x Buzzer 1 x FIR connector 1 x CIR connector 1 x CD audio-in connector 2 x Fan connectors for CPU and system fans 1 x ATX power connector	
Back Panel I/O	1 x PS2 mouse port 1 x PS2 keyboard port 1 x Parallel port 1 x VGA port 1 x RJ-45 LAN port 1 x S-Video port 1 x RCA port (S/PDIF or TV-out) 2 x USB 1.1 ports 1 x Serial port 3 x Audio jacks: Line-out, Line-in and Mic-in	
BIOS	Award BIOS 2Mbit flash memory	
Operating System	Windows XP, Linux, Win CE, XPe	
System Monitoring & Management	CPU voltage monitoring Wake-on LAN, Keyboard Power-on, Timer Power-on System power management AC power failure recovery	
Operating Temperature	0° C - 50° C	
Operating Humidity	0% ~ 93% (relative humidity; non-condensing)	
Form Factor	Mini-ITX (4-layer) 17 cm x 17 cm	

Back Panel I/O



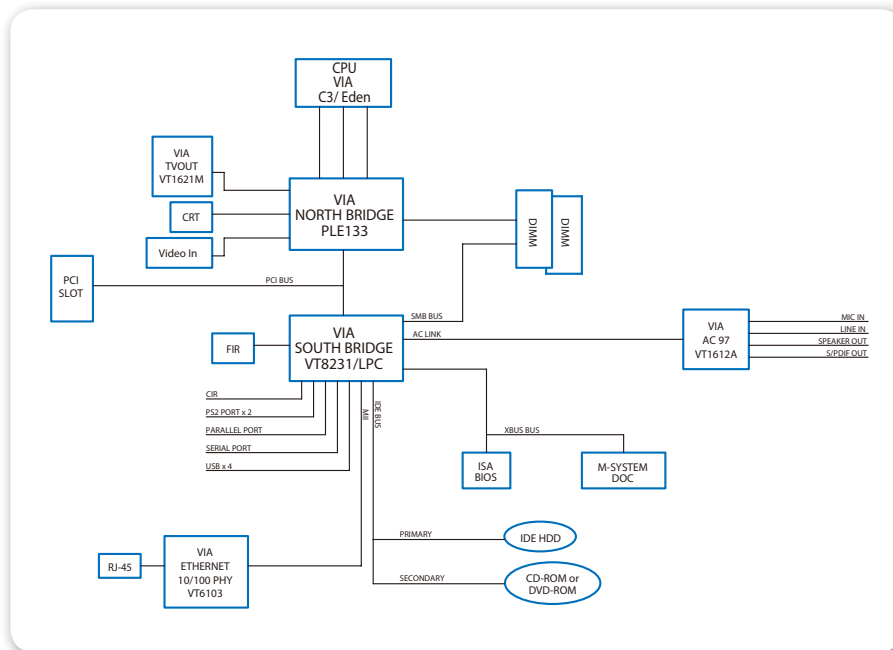
Accessories



Ordering Information

Model Name	CPU Frequency	Description
EPIA800AG	C3® 800MHz	Mini-ITX Board with C3® 800MHz, VGA, USB 1.1, COM, LPT, LAN, IDE
EPIA5000AG	Eden™ 533MHz	Mini-ITX Fanless Board with Eden™ 533MHz, VGA, USB 1.1, COM, LPT, LAN, IDE

Block Diagram



Packing List

Items
1 x ATA-66/100 IDE ribbon cable
1 x General installation guide
1 x Driver Utility CD
1 x I/O bracket